



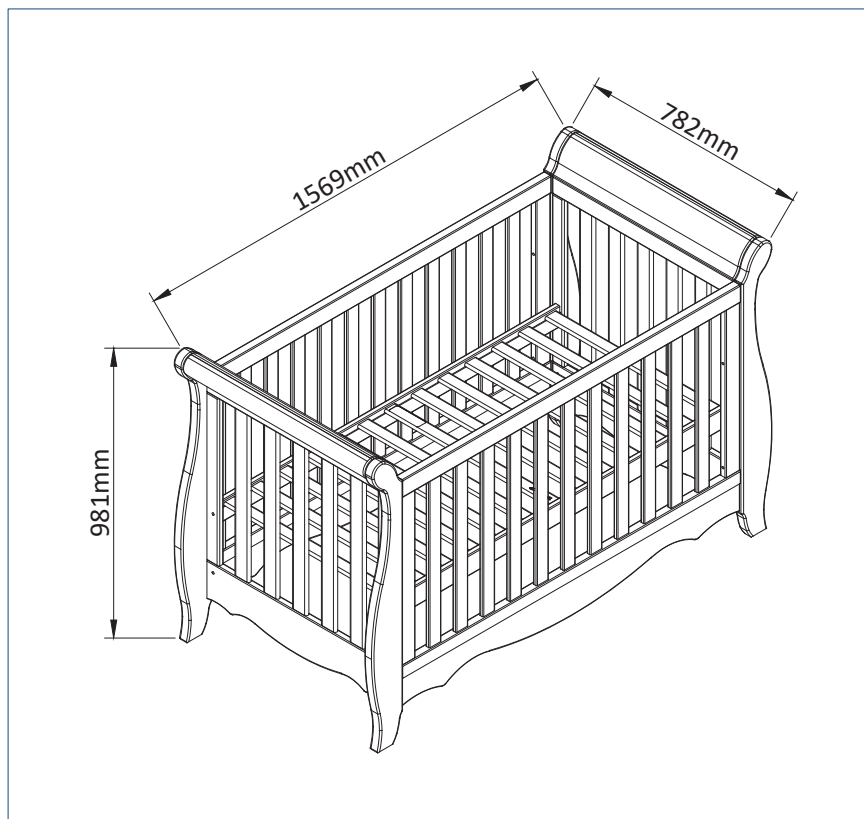
ASSEMBLY INSTRUCTION

WINNIE COT

ITEM CODE 76323

Imported by Amart Furniture Pty Ltd, Brisbane, QLD Australia.

For any assistance with assembly or for missing parts please phone Amart Furniture, Customer Service Free call 1800 351 084

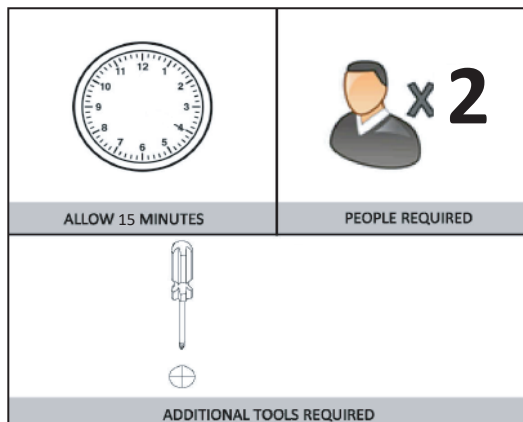


Imported by Amart Furniture Pty Ltd, Brisbane QLD Australia.
For any assistance with assembly or for missing parts please phone Amart Furniture, Customer Service Free call 1800 351 084

PRE-ASSEMBLY PREPARATION

Before you start:

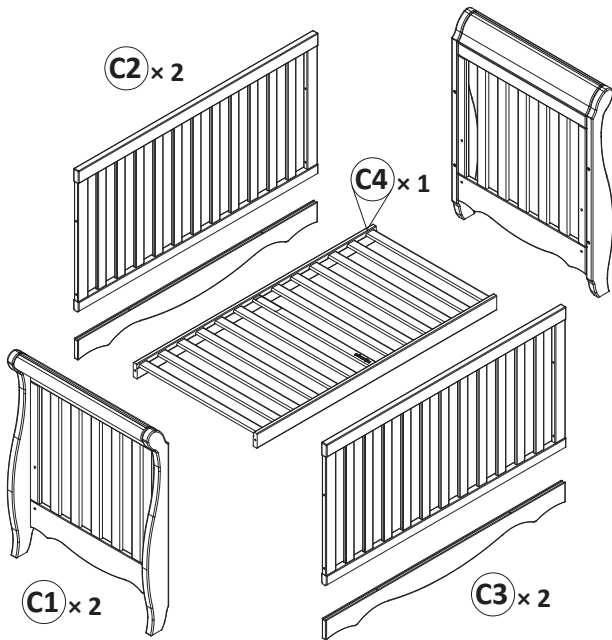
1. Choose a clean, level, spacious assembly area. Avoid hard surfaces that may damage the product
2. Take care when lifting. Product should be assembled as near as possible to the point of use
3. Ensure that you have all required contents for complete assembly
4. Always read the assembly instructions carefully before beginning assembly.
5. Keep all hardware parts and packaging out of reach of small children.
6. Do not over tighten the screws and bolts as this may damage the threads




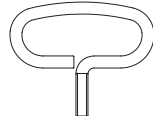

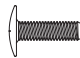
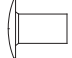


WARNING

- Infant should be placed to sleep on a firm, flat surface.
- Place infant on their back when using this product.
- Do not put objects or accessories in an infant's sleep environment.
- Do not place this product near a blind, cord, strap or similar item that could become wrapped around an infant's neck.
- Cots must be placed well away from exposed blind and curtain cords. Cords should be kept out of the child's reach and secured to a cleat, hook, or other safety device.
- Position the cot away from windows, heaters and power points to reduce risk of injury from falls, burns and electrocution.
- Check cot regularly for wear and tear. Repair any hazards immediately and do not use the cot until this hazard is fixed. Peeling paint could cause choking.
- Remove any items that your child could use as a climbing aid, including large toys, cot bumpers and cushions.
- Refrain from placing small items into your child's cot or in reach of your child, as these could cause choking.
- Items such as pictures and mirrors can fall and should not be hung over cots. Don't put toys or mobiles with stretch elastic cords nearby.
- Ensure any adjustable base on the cot is moved to the lowest setting as soon as the child can sit unaided.
- Do not use pillows or bumpers. Children can become wedged in a pillow or bumper and suffocate.
- Never use electric blankets or hot water bottles for babies or young children.
- When children start to climb, it is a sure sign they have outgrown their cots. When this happens, it is time to investigate safer sleeping arrangements such as a low bed or mattress on the floor.

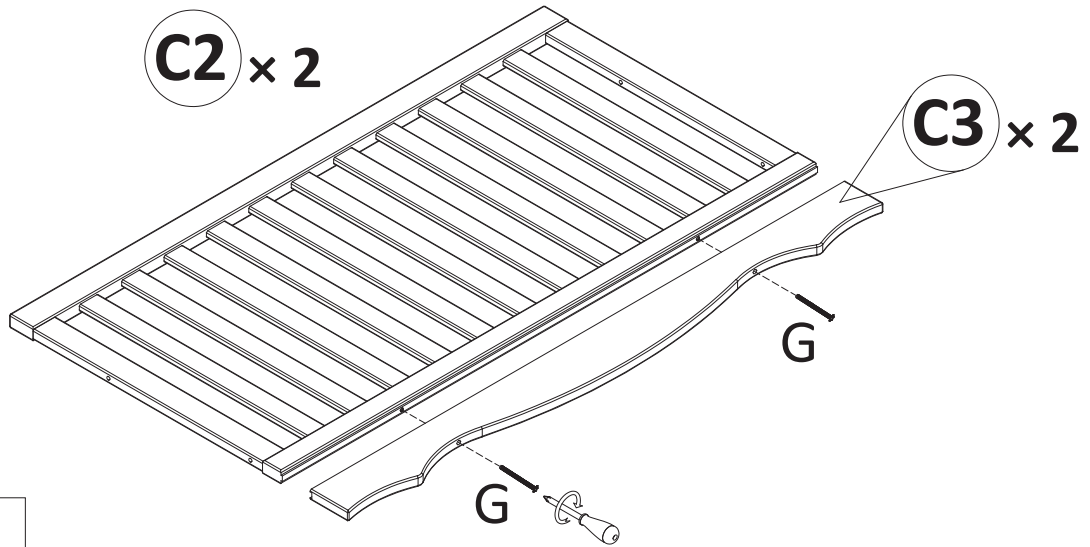
PARTS LIST



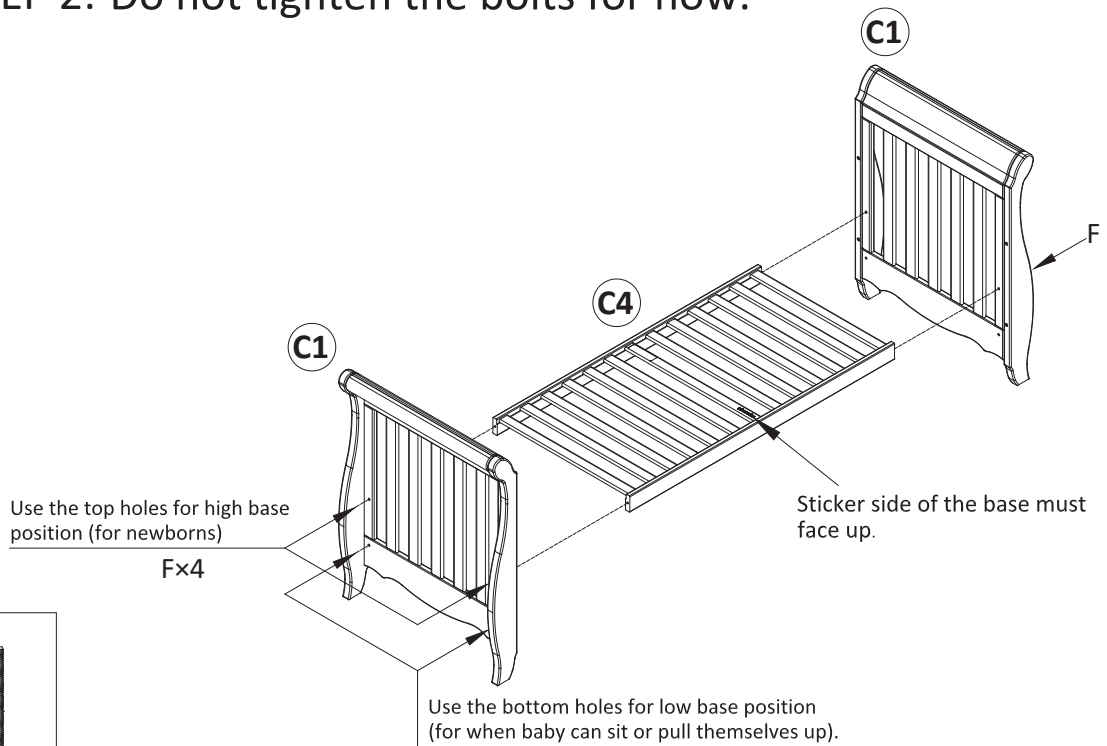
C1	2	HEADBOARD
C2	2	SIDERAIL
C3	2	DAM-BOARD
C4	1	BED BASE

<p>A <input type="checkbox"/></p>  <p>M4,65x25mm Ax1</p>	<p>B <input type="checkbox"/></p>  <p>M4,50x43mm Bx1</p>	<p>C <input type="checkbox"/></p>  <p>M6x70mm Cx8</p>	<p>D <input type="checkbox"/></p>  <p>M6x13mm Dx8</p>
<p>E <input type="checkbox"/></p>  <p>M6x14mm Ex4</p>	<p>F <input type="checkbox"/></p>  <p>M6x54mm Fx4</p>	<p>G <input type="checkbox"/></p>  <p>M4x60mm Gx4</p>	

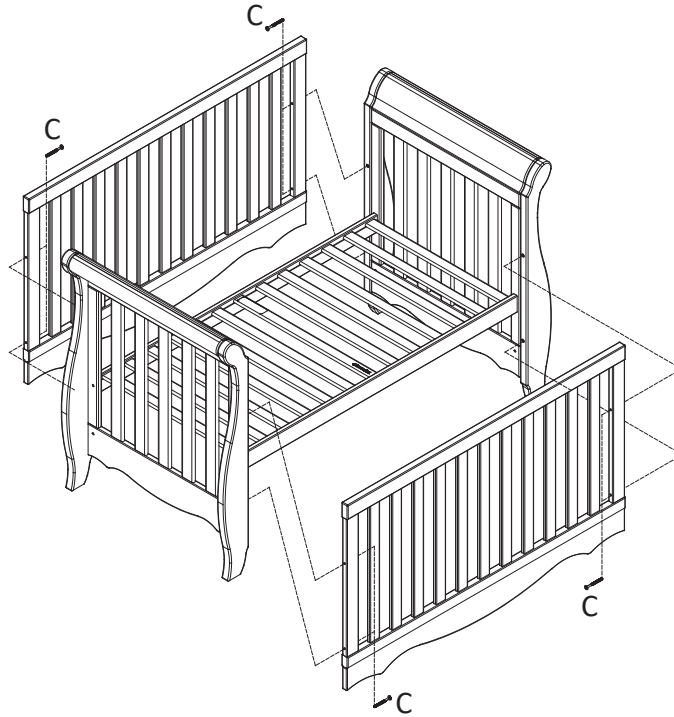
STEP 1: Install C2 and C3 together.



STEP 2: Do not tighten the bolts for now.



STEP 3: Tighten all the connecting bolts.



Cx8

STEP 4: Please insert bolts into remaining holes as illustrated to avoid little fingers getting stuck.



Dx4

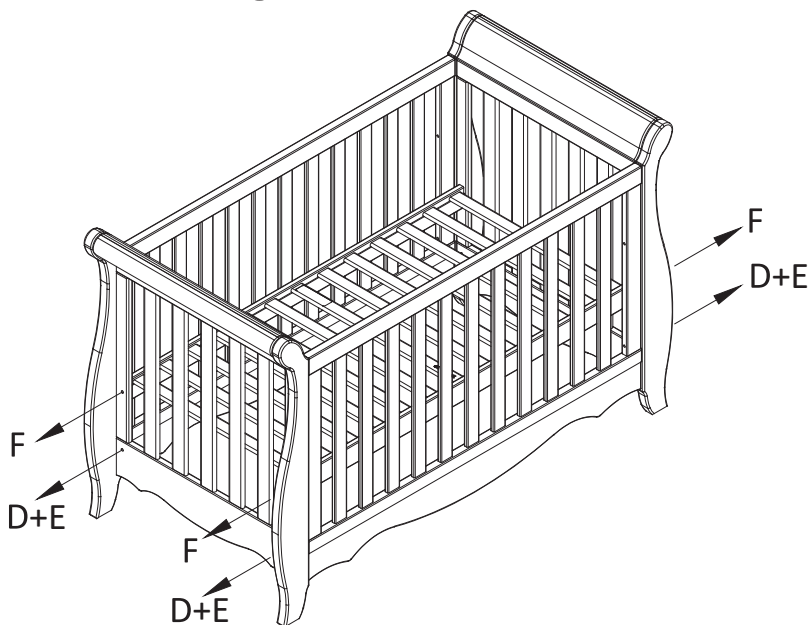


Ex4

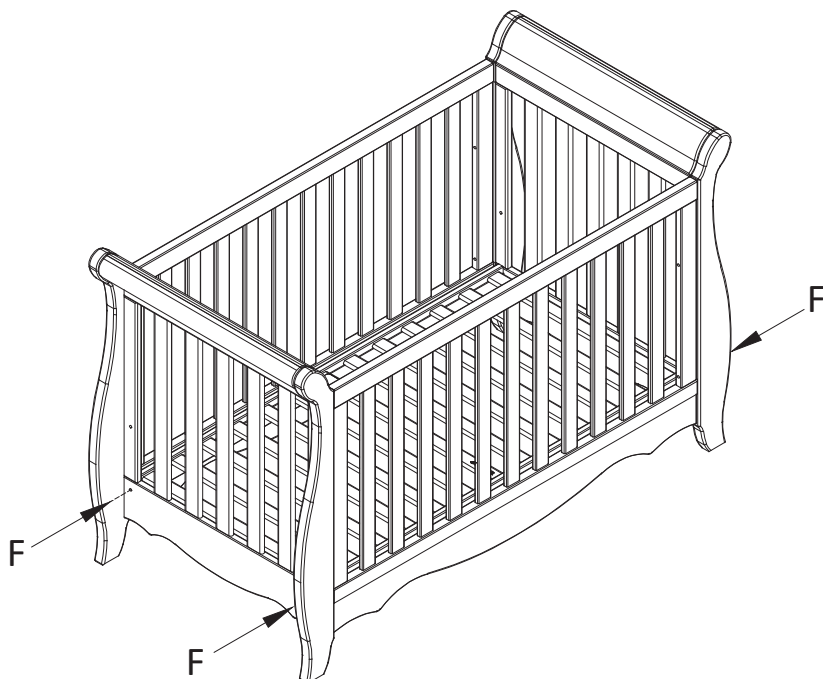
STEP 5: Base should be in the lower position before child is able to sit up or pull themselves up.



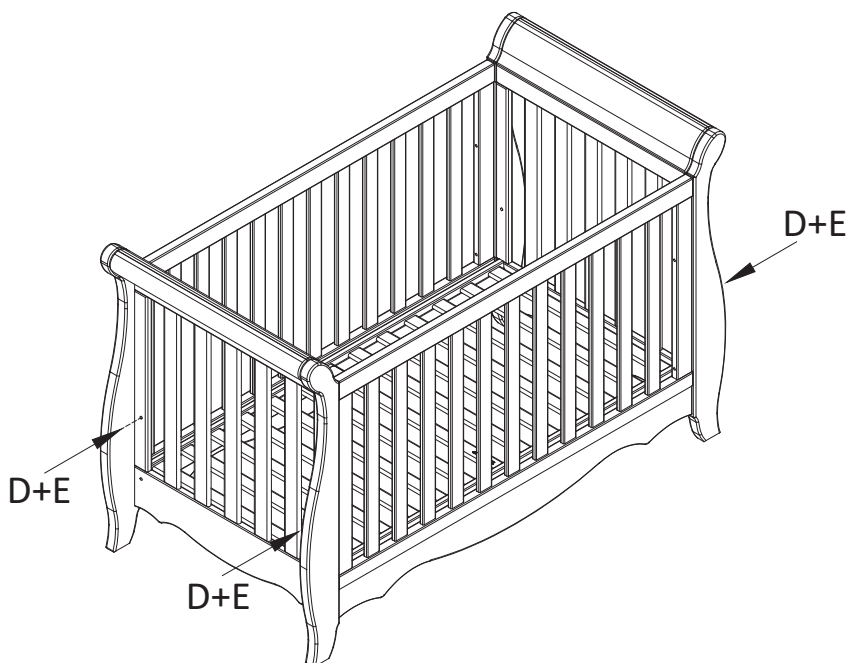
STEP 6: Please remove the lower gear position plug bolt (D/E) before extracting the F bolt.



STEP 7: Install the bed base on the lowest gear position.



STEP 8: Please insert bolts into remaining holes as illustrated to avoid little fingers getting stuck.



ASSEMBLY IS COMPLETE



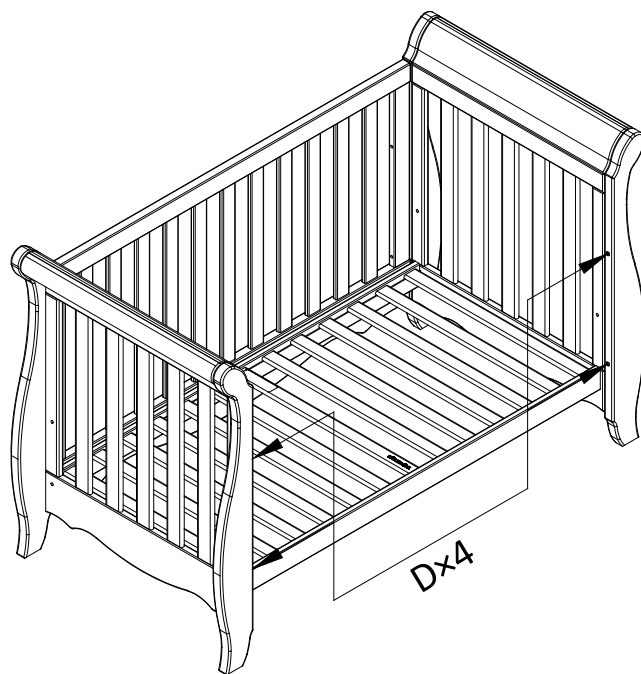
CAUTION:
ALWAYS LIFT YOUR BED WHEN MOVING/RELOCATING - DO NOT DRAG. DRAGGING CAN CAUSE THE CENTRE SUPPORT LEGS TO BEND/BREAK

CONVERT YOUR COT TO TODDLER BED

STEP 1:



STEP 2: Please insert bolts into remaining holes as illustrated to avoid little fingers getting stuck.



Dx4

ASSEMBLY IS COMPLETE



CAUTION:
ALWAYS LIFT YOUR BED WHEN MOVING/RELOCATING - DO NOT DRAG. DRAGGING CAN CAUSE THE CENTRE SUPPORT LEGS TO BEND/BREAK

READ THESE INSTRUCTIONS THOROUGHLY BEFORE USE:

NOTE: Use only spare parts approved by the manufacturer

FOR AUSTRALIA AND NEW ZEALAND

RECOMMENDED MATTRESS SIZE 1320mm X 700mm X 120mm

This cot has been manufactured for use with a mattress which measures 700mm wide by 1320mm long and 120 mm in thickness . The width and length are specified because it is important that the gaps between the mattress and the sides and ends of the cot will not exceed 40mm when the mattress is pushed to one side or end , and 20 mm when the mattress is centred in the cot . This is to minimize the risk of a child's limb becoming caught in the gap. The thickness of the mattress has been specified to ensure that the depth of the cot is greater than 500 mm with the mattress base in the lower position to minimise the risk of a child climbing or falling out of the cot.

WARNING:

- To ensure the safety of your cot, regularly check all the connecting bolts and glide pins making sure they are all tight.
- To prevent falls or suffocation, the maximum mattress thickness should not exceed 120mm.
- To prevent falls, the mattress base of this cot should be adjusted to the lowest position before the child can sit up.
- Follow the manufacturer's assembly instructions in detail to ensure the safety features of the cot are not compromised.
- Ensure the cot is placed at a reasonable distance from curtains, blinds, heaters and power points.
- Keep cot free of any toys, cushions etc that could be used as a foothold or present a danger of suffocation or strangulation.
- Keep medication, string, elastic or small items such as money out of reach from any position in the cot.
- Check this product regularly before using it, and do not use it if any part is loose or missing or if there are any signs of damage. Do not substitute parts. Contact the manufacturer if replacement parts or additional instructions are needed.

Product Care

As our timber is supplied from sustainable forests there will be natural variations in surface texture and grain like knots, mineral streaks and sap runs that may affect the finish. These differences in character are not defects, but distinctions that make each piece of furniture unique

Our furniture is built to last. Following these steps for basic care should protect your investment for years to come

- Dust frequently with a clean damp lint-free cloth. This will help remove abrasive build up which can damage a finish over time
- Do not place hot objects on any furniture surface. Always use a hot plate or placemat. Laminate and lacquer finishes on table tops provide added scratch and heat resistance to our furniture, but they can still be damaged without proper care
- Avoid exposing your furniture to strong sunlight, heat outlet, open windows or dampness. Prolonged exposure to direct sunlight can fade the finish of your furniture, while extreme temperature and humidity changes can cause cracking or splitting
- Do not expose your furniture to any liquids. Never allow water to sit on your furniture. Alcohol, nail polish and perfume are also dangerous as they will dissolve the lacquer finish on contact and may require professional repairs
- Do not allow plastic to come in direct contact with your furniture. Chemicals in the plastic of placemats etc. may soften and mark the finish if left in contact with the furniture for a period of time